

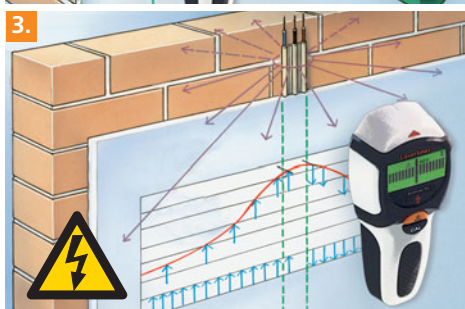
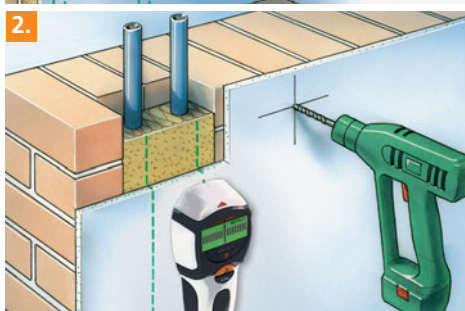
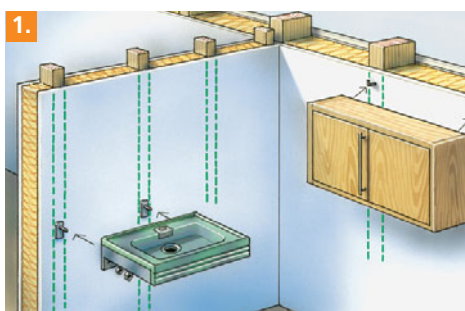
# Laserliner®

## MultiFinder Plus



Universal detector for locating wood, metal, copper, iron and live wires

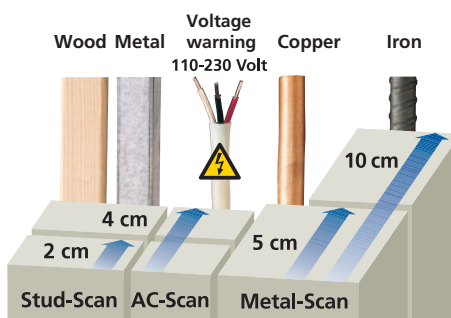
Rev.1212



- Several integrated sensors make the MultiFinder Plus a scanning and detection tool for many different applications.
- One-button operation to switch between the different measurement modes
- The user guide on the LC display makes the MultiFinder Plus easy and reliable to use.
- Auto-Calibration: adjusts the device to different surfaces immediately after switching on.
- Auto-Cal Plus: allows objects to be localized easily in Metal-Scan mode.
- Acoustic and visual detection signals for finding objects.
- High safety is guaranteed by the permanent voltage warning function.
- Special feature: in metal mode, it is even able to detect concealed lines when they are not live.

### TECHNICAL DATA

<b>DETECTION RANGE AC</b>	110 - 230V, 50 - 60 HZ
<b>WORKING TEMPERATURE</b>	0°C ... 40°C
<b>STORAGE TEMPERATURE</b>	-20°C ... 70°C
<b>POWER SUPPLY</b>	1 x 9V alkali battery (type 6LR 61)
<b>DIMENSIONS (W x H x D)</b>	80 x 186 x 40 mm
<b>WEIGHT (incl. battery)</b>	230 g



**MultiFinder Plus**  
+ battery  
**Packing dimension (W x H x D)**  
190 x 310 x 80 mm

### OVERVIEW

<b>1</b>	Wood/metal beam location (Stud-Scan)	Up to 4 cm depth
<b>2</b>	Targeted metal location: Ferro-Scan/ Non-Ferro-Scan (Metal-Scan)	Up to 10 cm / up to 5 cm depth
<b>3</b>	Targeted location of live supply lines (AC-Scan)	Up to 4 cm depth
	Location of dead supply lines	Up to 4 cm depth
	Automatic calibration	Yes
	Permanent voltage warning	Yes
	Display	Illuminated LC-display
	Detection and warning information	Visual and audible

ARTICLE	ARTICLE NO	EAN-CODE	PU
MultiFinder Plus	080.965A	4 021563 684175	5

